

Near the house electric wire drill a hole in the ceiling for the hook (provided by client).

Use a dowel to secure the hook in the ceiling.

Hang the suspension cable in the hook and adjust desired height. Fasten the cable by tightening screws on the cable lock.

Adjust the length of lamp electric wire and connect it to the house wire.

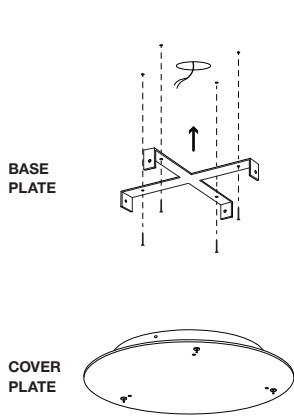
Straighten lamps electric wire by tucking any access material towards the ceiling in the ceiling cap.

Hold the cap to the ceiling and fasten ceiling cap screw with a hex key.

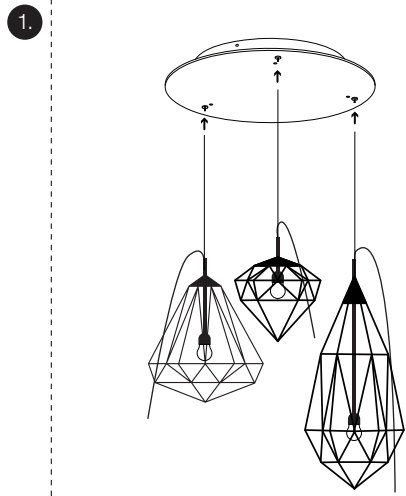
Bulb: E27 fitting max 60W

CONTACT

JSPR
 T +31 (0) 40269211
 INFO@JSPR.EU
 WWW.JSPR.EU



1. Mark and drill holes in the ceiling based on the base plate size. Carefully unwrap and attach the base plate to the ceiling using dowels and screws (by client).

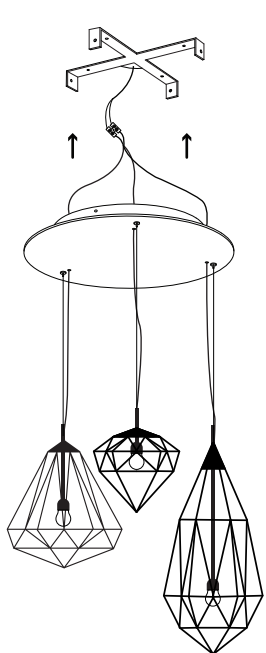


2. Carefully unwrap the Diamond lights and guide the suspension cables through the cable fasteners located on the cover plate.

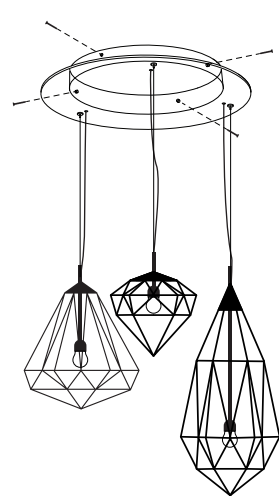
NOTE: the desired lengths can be finalised later on.



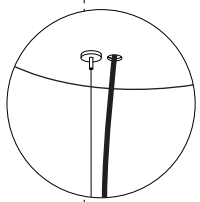
3. Pull through each Diamonds electric cable through the cover plate.



4. Connect each lamps electricity cable to the house electricity cable and tuck all excess cables inside the cover plate before attaching the cover plate to the base plate.



5. Attach the cover plate to the base plate using the provided screws.

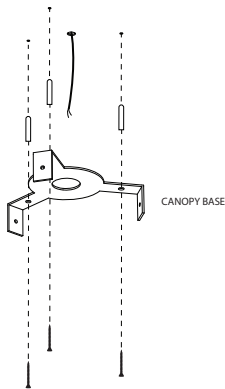


6. Adjust the desired length of each pendant. Detailed instructions how to use integrated cable fasteners included in this manual.

CONTACT

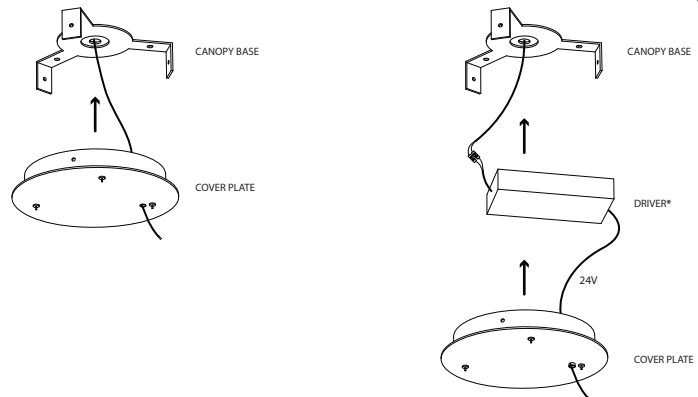
JSPR
 T +31 (0) 402692111
 INFO@JSPR.EU
 WWW.JSPR.EU

1.



Mark holes in the ceiling based on canopy measurements. Attach canopy base plate using screws and plugs (by client).

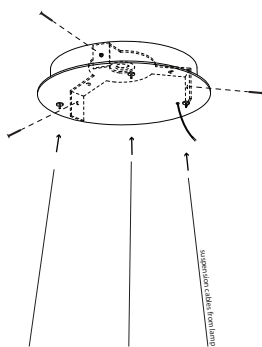
2.



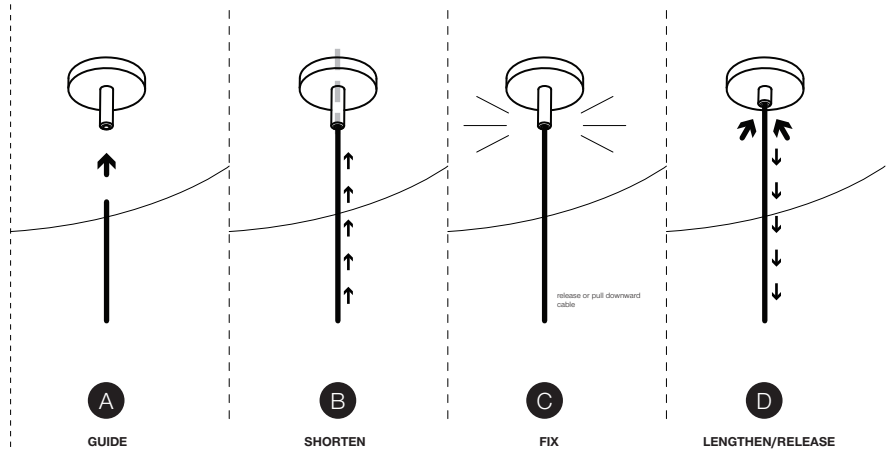
ASSEMBLY WITHOUT DRIVER
Pull through cover plate the house electricity cable or connect the lamps electric cable (through cover plate) to the house electricity wire.

ASSEMBLY WITH DRIVER*
Connect the transformer/driver (220V/110V to 24V*) to the house electric wire. Pull the low voltage wire coming from the transformer through the canopy cover plate.
* depending on lamp

3.



Fix cover plate to the base plate with three included screws. Once tightly fixed proceed to hanging the lamp by guiding the lamps suspension cables through the little nozzles.



GUIDING THE CABLE (Steps A; B; C)

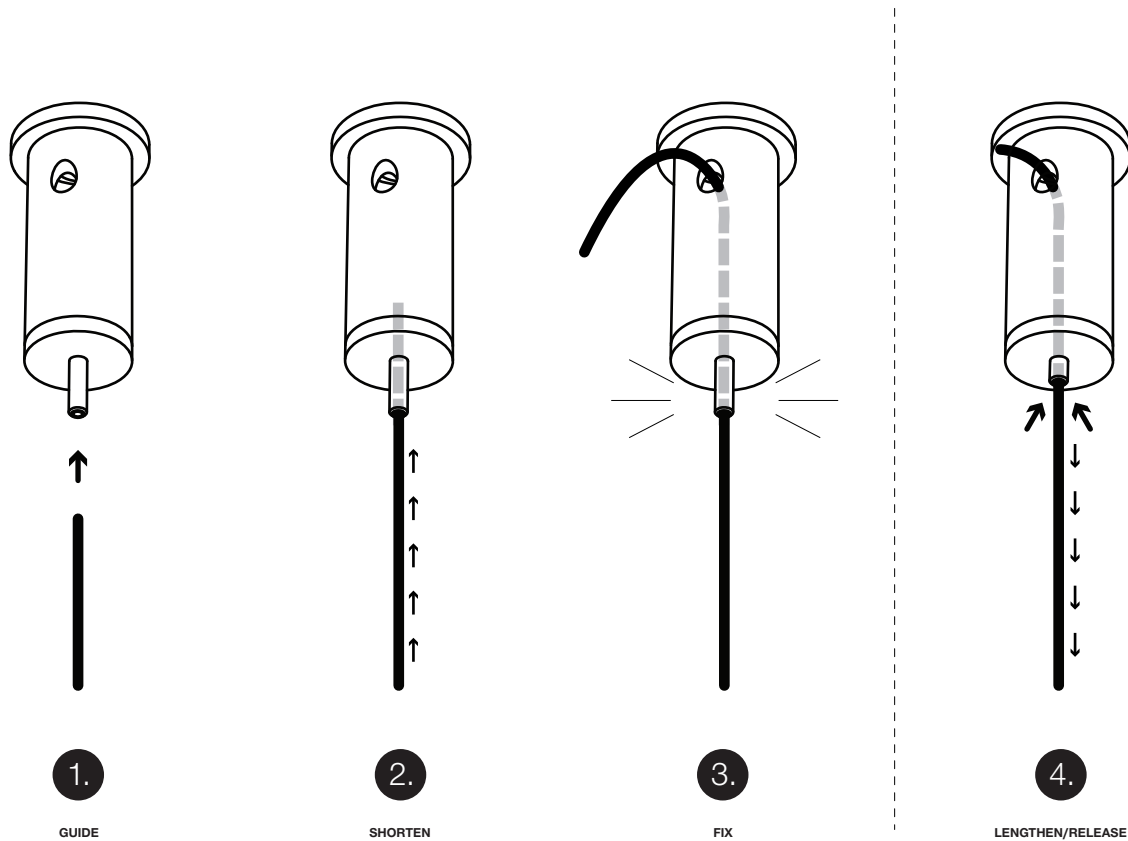
Guide the support cable through the tinny nozzle (A & B). Once reached the desired length of the cable let it go or pull the cable downwards and the fastener will automatically lock (C).

EXTENDING THE CABLE (Step D)

To extend the cable, push the little nozzle upwards/inside. The cable will loosen and allow to be pulled out. To lock position - release the nozzle and the fastener will automatically lock the cable (Step C).

CONTACT

JSPR
T +31 (0) 402692111
INFO@JSPR.EU
WWW.JSPR.EU



GUIDING THE CABLE (Steps 1 - 3)

Once the cable fasteners are securely attached to the ceiling, guide the support cable through the tinny nozzle (1 & 2). Once reached the desired length of the cable let it go or pull cable downwards and the cable fastener will automatically lock (3).

EXTENDING THE CABLE (Step 4)

To extend the cable, push the little nozzle upwards/inside, the cable will loosen and allow to be pulled out. To fix release the nozzle and the fastener will automatically lock the cable.

After achieving desired length of the lighting fixture trim any excess cables.

CONTACT

JSPR
T +31 (0) 402692111
INFO@JSPR.EU
WWW.JSPR.EU